



GENUINE MEGA

BUTTERFLY VALVES (BFV)



Mega carries manual, hydraulic and electric-pneumatic butterfly valves for our water tank components as well as for our Mega Portable Tanks (MPT's).

www.megacorpinc.com





GENUINE MEGA



10000



BUTTERFLY VALVES (BFV)

TABLE OF CONTENTS

- » Butterfly Valves (BFV)..... 4-4
- » 3 inch , Butterfly Valve Assembly, *Part No. 011454* 4-5
- » 4 inch , Butterfly Valve Assembly, *Part No. 029825*..... 4-6
- » 5 inch , Butterfly Valve Assembly, *Part No. 036744* 4-7
- » 8 inch , Butterfly Valve Assembly, *Part No. 041368* 4-8
- » 3 inch , Electric/Air Butterfly Valve Assembly, *Part No. 040556* 4-9
- » 3 inch , Electric/Air Butterfly Valve Assembly, *Part No. 029860*..... 4-10
- » 3 inch , With Air Actuator, Butterfly Valve Assembly, *Part No. 036042*..... 4-11
- » 4 inch , With Air Actuator, Butterfly Valve Assembly, *Part No. 036270*..... 4-12
- » 10 inch , MPT-Mega Portable Tank, Butterfly Valve, *Part No. 301486* 4-13

www.megacorpinc.com

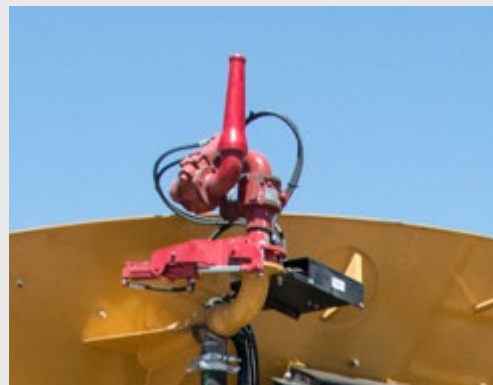


BFV BUTTERFLY VALVES



SIMPLE. DURABLE. AVAILABLE.

Mega carries a full line of severe-duty butterfly valves (BFVs) to support all of our products. If a Mega product uses a butterfly valve, we carry that valve in stock for your convenience and support parts needs. Don't have a Mega water tank but still need a high-quality butterfly valve that will last in harsh waters? Give our Parts Sales Department a call at 505-345-2661. With hydraulic, pneumatic, and electro-pneumatic actuated butterfly valves from 3-inch to 10-inch diameters, we have your solution.



Hydraulic BFV Assembly

Our high-quality hydraulic butterfly valve assemblies are available in several sizes to meet a variety of applications. The seals in the butterfly valve are designed for use in both normal and harsh waters.

The butterfly valve is self-sealing to standard flanges (requires no gaskets). The hydraulic cylinder is designed to operate the valve dependably with 550 psi or less of hydraulic pressure.



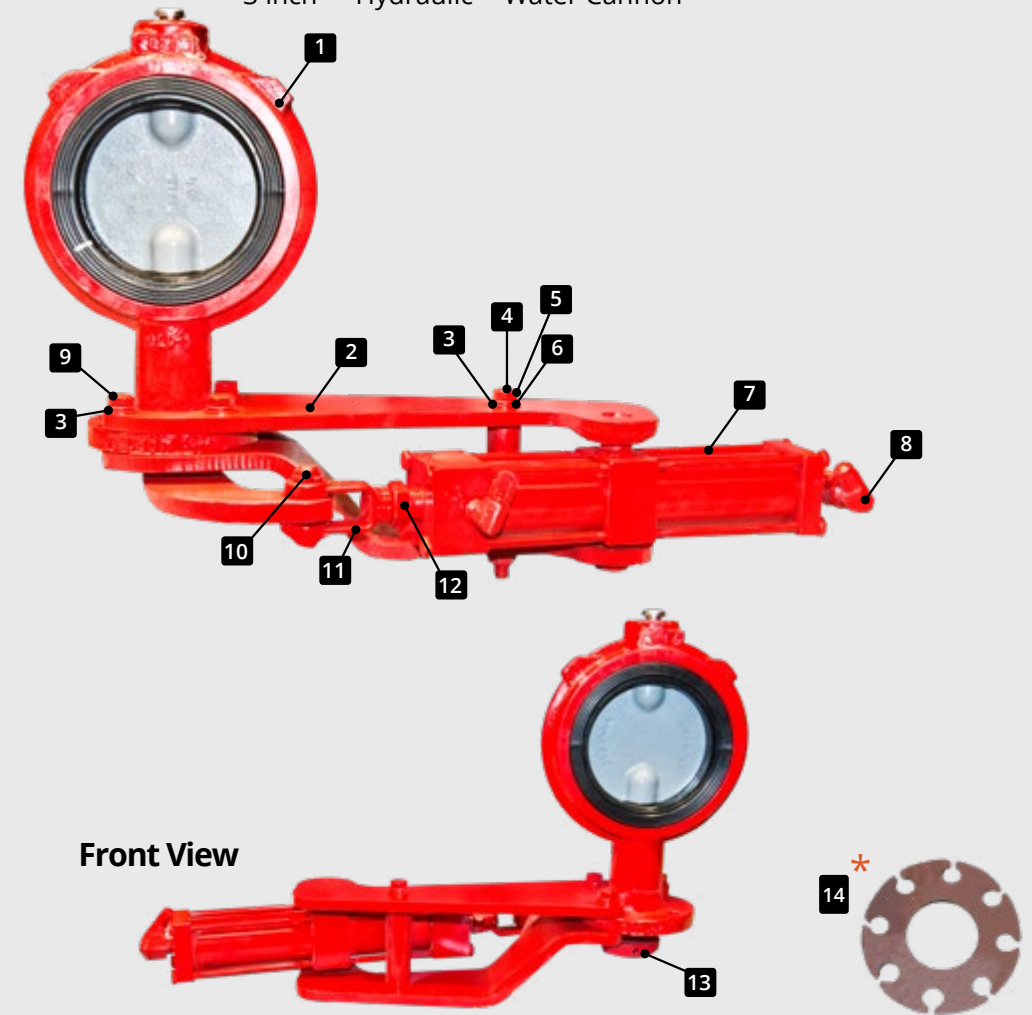
Electro-Pneumatic BFV Assembly

The electro-pneumatic butterfly valve available in several sizes to meet a variety of applications. The seals in the butterfly valve are designed for use in both normal and harsh waters.

The butterfly valve is self sealing to standard flanges (requires no gaskets). The actuator is controlled with an on-board 12 or 24 VDC solenoid. The hydraulic cylinder is designed to operate the valve dependably with 95 psi or less of hydraulic pressure.

Butterfly Valve Assembly, 3 inch Part No. 011454

• 3 inch • Hydraulic • Water Cannon



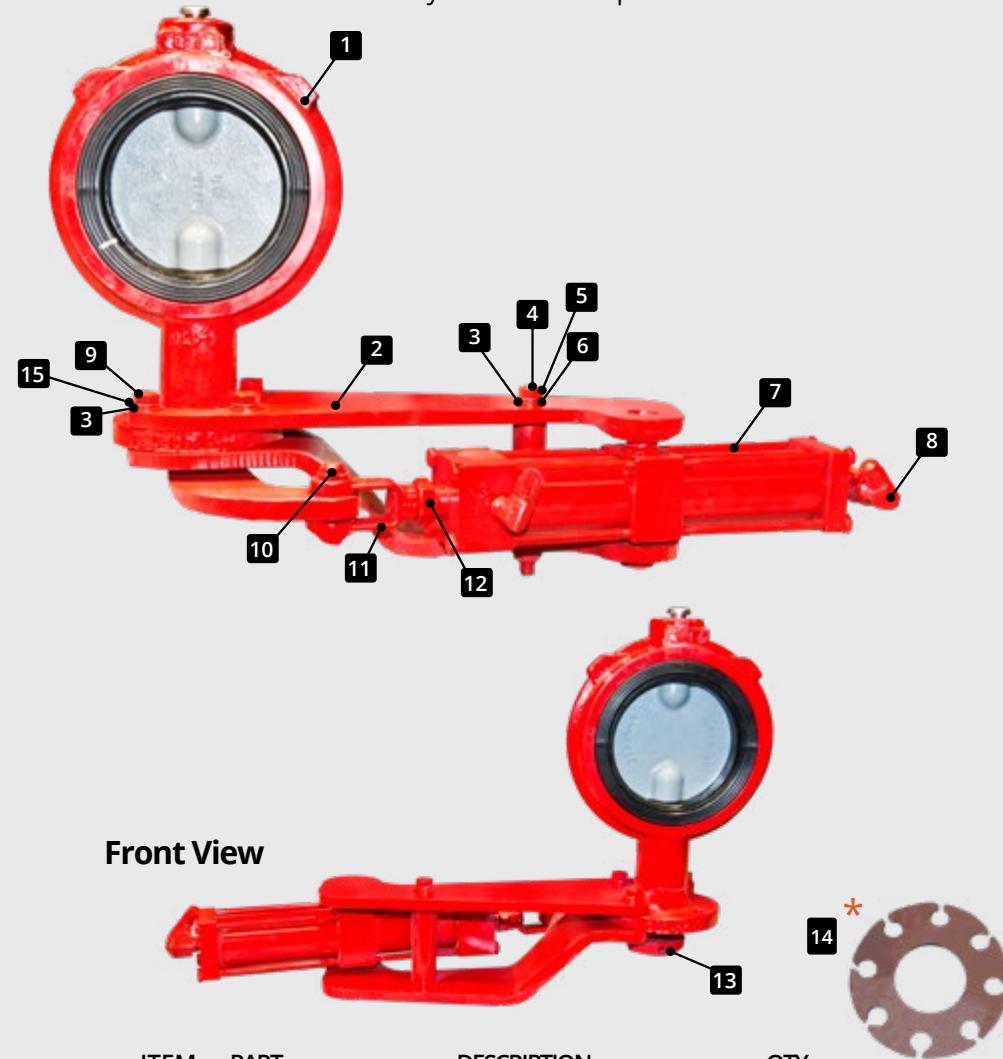
Front View

ITEM	PART NO.	DESCRIPTION	QTY
	011454	Butterfly Valve Assembly, 3 inch	1
1	300030	Valve, Butterfly, 3 inch	1
2	043987	Bracket, Butterfly Assembly	1
3	350003	Washer, Flat, 3/8 inch	8
4	350025	Nut, Hex 3/8 inch-16 UNC	1
5	350158	Screw, Cap 3/8 inch-16 UNC X 4.00	1
6	350016	Lock Washer, 3/8 inch	1
7	300096	Hydraulic Cylinder	1
8	352436	Hydraulic Fitting	2
9	350147	Cap Screw 3/8 inch X 1 1/2 inch	3
10	300099	Pin, Clevis	1
11	300467	Clevis, 1/2 inch X 5/8 inch UNF	1
12	354532	Nut, Hex 5/8 inch-18 UNF	1
13	352954	Screw, Set, 1/4-20 X 3/8 inch	1
14	000194	Weld-On Flange, 3 Inch ID, 8 Hole*	1

* Weld-on flange not included; purchase separately.
REV 00C 10/05/2018

Butterfly Valve Assembly, 4 inch Part No. 029825

• 4 inch • Hydraulic • Dump Bar



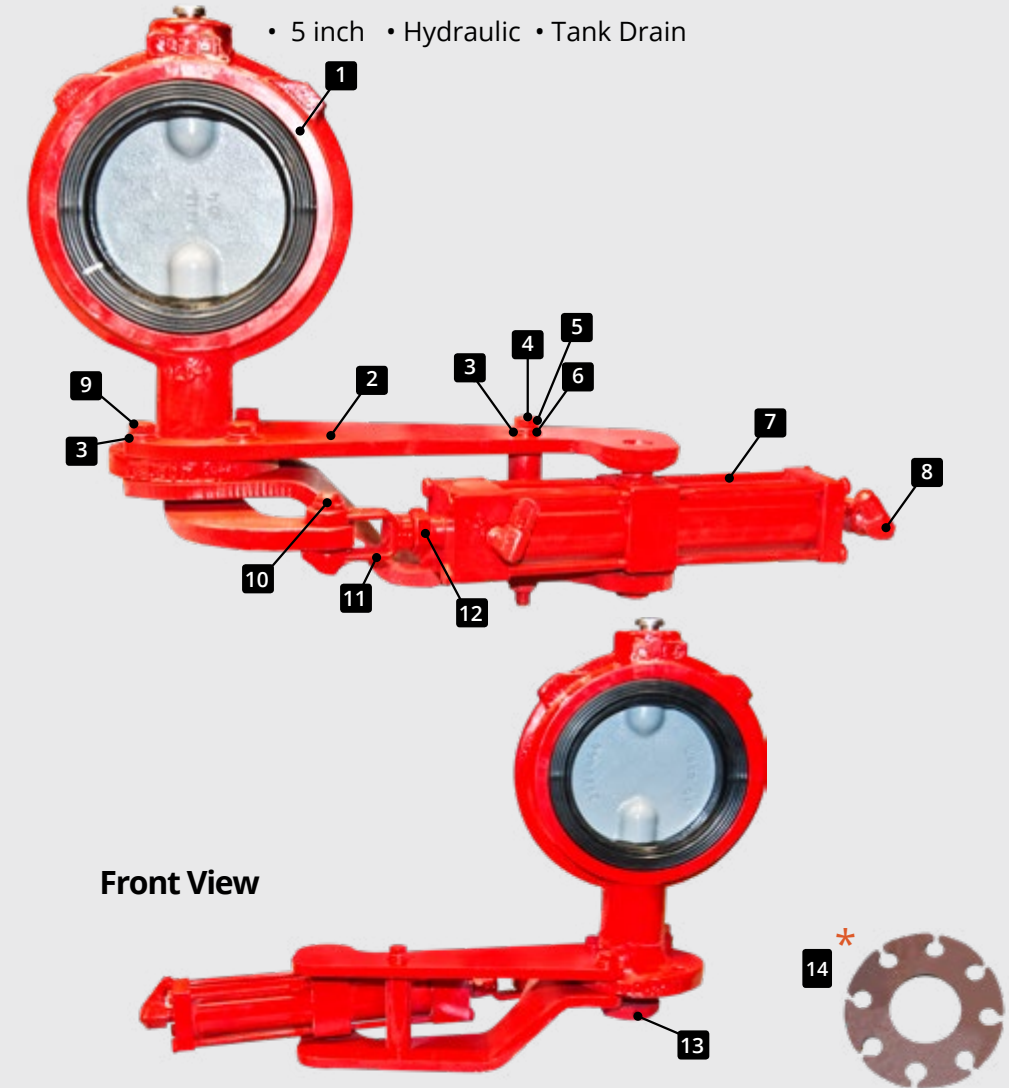
Front View

ITEM	PART NO.	DESCRIPTION	QTY
	029825	Butterfly Valve Assembly, 4 inch	1
1	300031	Valve, Butterfly, 4 inch	1
2	043987	Bracket, Butterfly Assembly	1
3	350003	Washer, Flat, 3/8 inch	2
4	350025	Nut, Hex 3/8 inch-16 UNC	1
5	350158	Screw, Cap 3/8 inch-16 UNC X 4.00	1
6	350016	Washer, 3/8 inch	1
7	300096	Hydraulic Cylinder	1
8	352436	Hydraulic Fitting	2
9	350147	Cap Screw 3/8 inch X 1 1/2 inch	3
10	300099	Pin, Clevis	1
11	300467	Clevis, 1/2 inch X 5/8 inch UNF	1
12	354532	Nut, Hex 5/8 inch-18 UNF	1
13	352954	Screw, Set, 1/4-20 X 3/8 inch	1
14	000227	Weld-On Flange, 4 inch*	1
15	354511	Washer, SAE GR8 3/8"	3

* Weld-on flange not included; purchase separately.
REV 00H 08/01/2019

Butterfly Valve Assembly, 5 inch Part No. 036744

• 5 inch • Hydraulic • Tank Drain



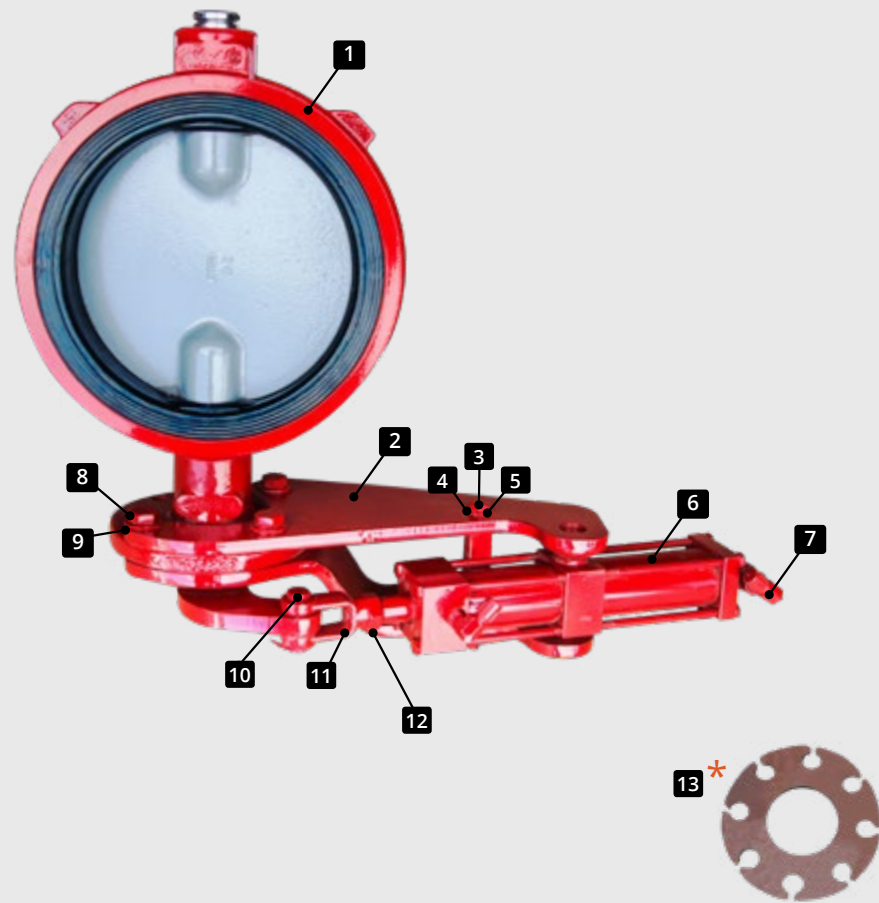
Front View

ITEM	PART NO.	DESCRIPTION	QTY
	036744	Butterfly Valve Assembly, 5 inch	1
1	300032	Valve, Butterfly, 5 inch	1
2	043987	Bracket, Butterfly Assembly	1
3	350003	Washer, Flat, 3/8 inch	5
4	350025	Nut, Hex 3/8 inch-16 UNC	1
5	350158	Cap Screw, 3/8 inch-16 4.50 inch	1
6	350016	Washer, 3/8 inch	1
7	300096	Hydraulic Cylinder	1
8	352436	Hydraulic Fitting	2
9	350146	Bolt, 3/8 inch-16 x 1.25 inch, M3 pump	3
10	300099	Pin, Clevis	1
11	300467	Clevis, 1/2 inch X 5/8 inch UNF	1
12	350046	Nut, Hex 5/8 inch-18 UNF	1
13	352954	Screw, Set, 1/4-20 X 3/8 inch	1
14	000198	Weld-On Flange, 5 inch*	1

* Weld-on flange not included; purchase separately.
REV 00E 8/01/2019

Butterfly Valve Assembly, 8 inch Part No. 041368

- 8 inch • Hydraulic • Tank Drain

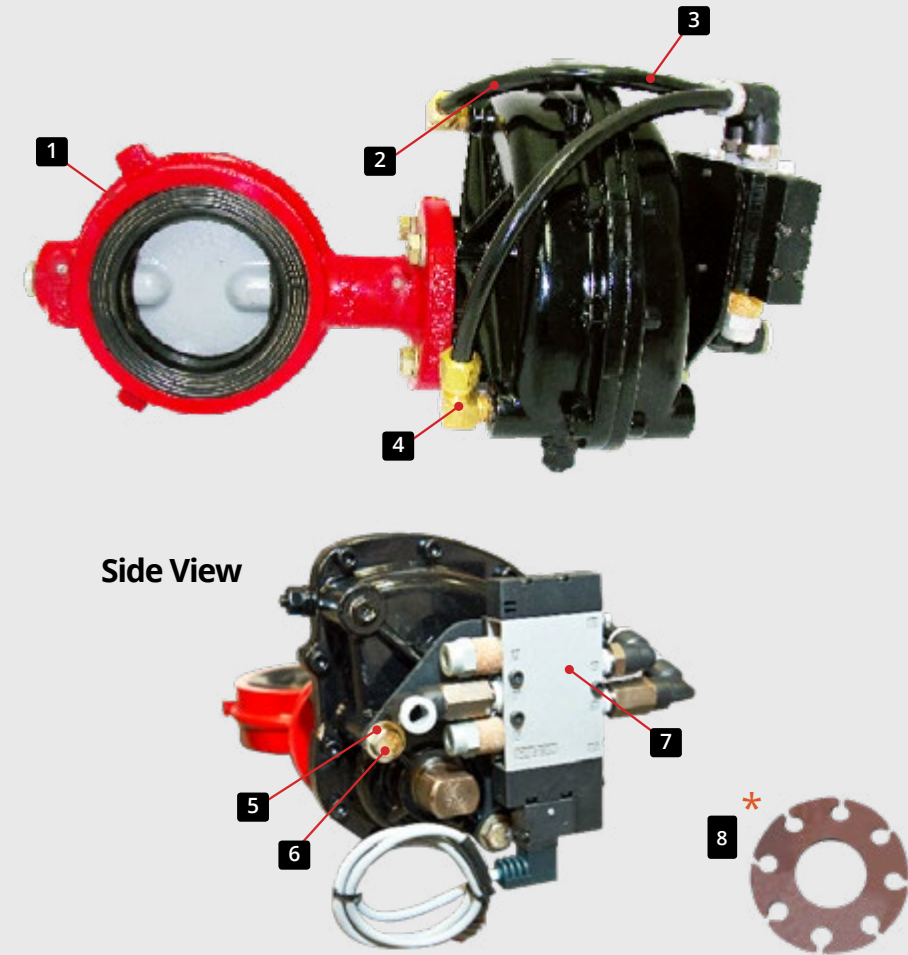


ITEM	PART NO.	DESCRIPTION	QTY
	041368	Butterfly Valve Assembly, 8 inch	1
1	300035	Valve, Butterfly, 8 inch	1
2	041369	Bracket, Butterfly Assembly	1
3	350158	Cap Screw, 3/8 inch-16 x 4.50 inch	1
4	350003	Flat Washer, 3/8 inch	1
5	350025	Nut, 3/8 in, USS GR8	1
6	300096	Hydraulic Cylinder	1
7	352436	Hydraulic Fitting	2
8	350231	Cap Screw, 1/2 inch X 1 1/2 inch GRB	3
9	350005	Washer, Flat, 1/2 inch	3
10	300099	Pin, Clevis	1
11	300467	Clevis, 1/2 inch X 5/8 inch UNF	1
12	354532	Nut, Hex 5/8 inch-18 UNF	1
13	000194	Weld-On Flange, 3 Inch ID, 8 Hole*	1
14	352954	Set Screw, 1/4-20 X 3/8 inch	1

* Weld-on flange not included; purchase separately.
REV 00F 8/01/2019

Butterfly Valve Assembly, Electric/Air, 3 inch Part No. 040556

- 3 inch • 24 VDC • Water Cannon



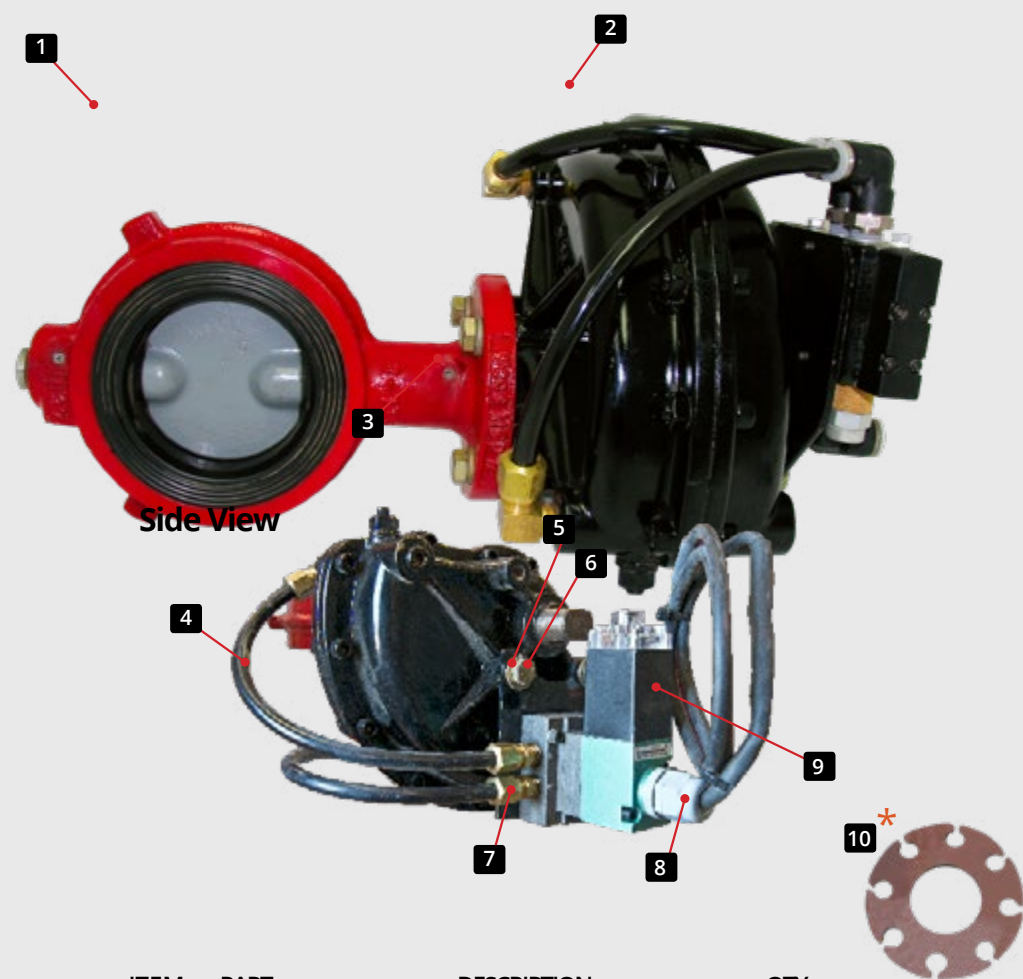
Side View

ITEM	PART NO.	DESCRIPTION	QTY
	040556	Butterfly Assembly, 3 inch	1
1	300030	3 inch, Butterfly Valve	1
2	304942	Polyethylene Tubbing 3/8 X 36 inches	1
3	300584	Air Actuator	1
4	351082	Male EL. 90° 3/8 X 1/4	2
5	350145	Cap Screw 3/8-16 X 1.00 inches	2
6	350003	Washer, Flat, 3/8 inch	2
7	305056	Solenoid Bank ASSY (1 Station)	1
8	000194	Weld-On Flange, 3 Inch ID, 8 Hole*	1

* Weld-on flange not included; purchase separately.
REV 00G 10/5/2018

Butterfly Valve Assembly, Electric/Air, 3 inch Part No. 029860

• 3 inch • 12 VDC



ITEM	PART NO.	DESCRIPTION	QTY
	029860	Butterfly Assembly, 3 inch	1
1	300030	3 inch Butterfly Valve	1
2	300584	Air Actuator	1
3	351083	Male Elbow 90° 3/8 inches X 1/4 inches	2
4	351141	Nylon Tubing, 3/8 inch, 8 inch long tube	1
5	350016	Washer, 3/8 inch	2
6	350145	Cap Screw 3/8 inch-16 X 1 GR5	2
7	351066	Male Connector 3/8 inches X 1/4 inches	3
8	303556	Strain Relief Connector 1/2 inch	1
9	301337	Solenoid (12 Volt)	1
10	000194	Weld-On Flange, 3 Inch ID, 8 Hole*	1

* Weld-on flange not included; purchase separately.
REV 002 10/5/2018

Butterfly Valve Assembly, With Air Actuator, 3 inch Part No. 036042

• 3 inch • Pneumatic • Water Cannon

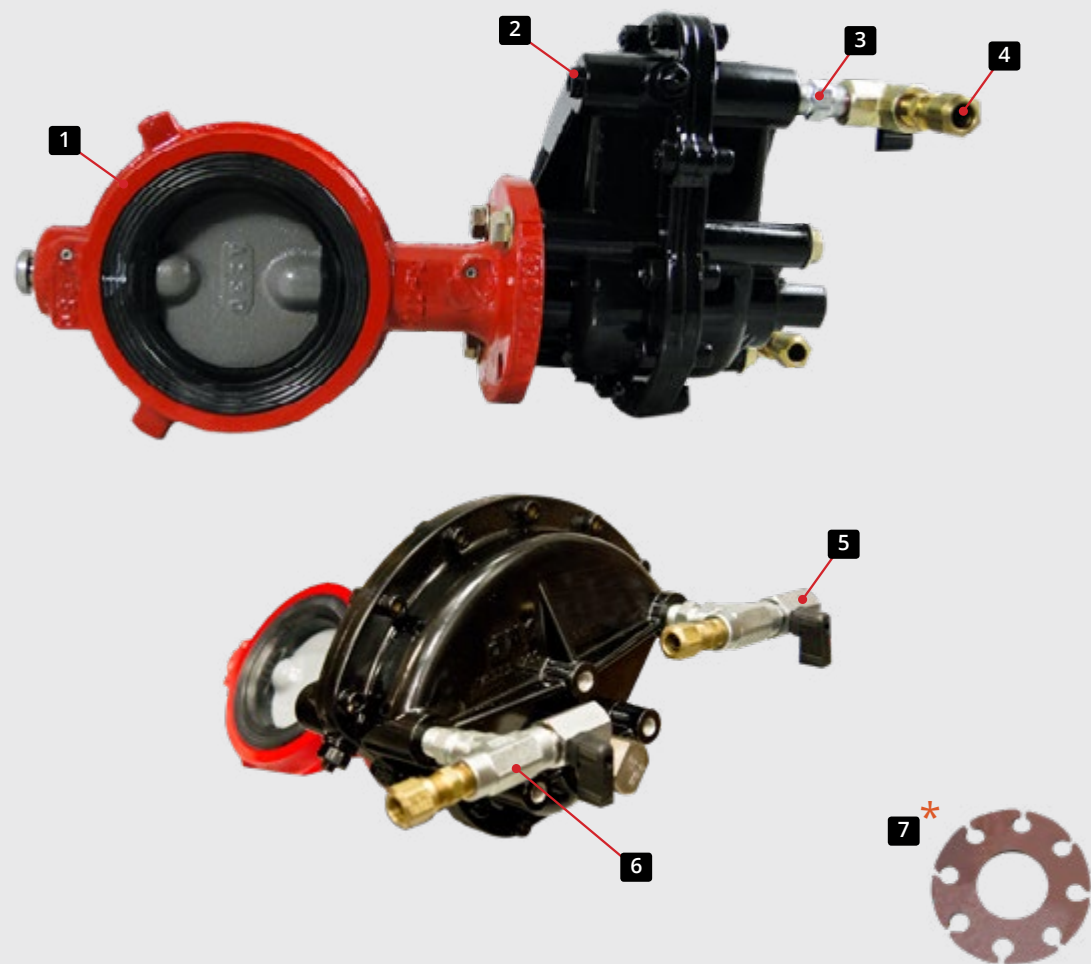


ITEM	PART NO.	DESCRIPTION	QTY
	036042	Butterfly Assembly, Air Actuator, 3 inch	1
1	300030	3 inch Butterfly Valve	1
2	300584	Air Actuator	1
3	352467	Nipple, Pipe 1/4 inch	2
4	351066	Male Connector 3/8 inches X 1/4 inches	2
5	300296	Petcock, 1/4 inch	2
6	352856	Tee, Internal Pipe, 1/4 inch	2
7	000194	Weld-On Flange, 3 Inch ID, 8 Hole*	1
8	350145	Cap Screw, 3/18 - 16 GR8	3
9	350003	Flat Washer, 3/8 inch (Package of 25)	1

* Weld-on flange not included; purchase separately.
REV 00D 8/01/2019

Butterfly Valve Assembly, With Air Actuator, 4 inch Part No. 036270

- 4 inch • Pneumatic • Dump Bar



ITEM	PART NO.	DESCRIPTION	QTY
	036270	Butterfly Assembly, Air Actuator, 4 inch	1
1	300031	4 inch Butterfly Valve	1
2	300036	Air Actuator	1
3	352467	Nipple, Pipe 1/4 inch	2
4	351066	Male Connector 3/8 inches X 1/4 inches	2
5	300296	Petcock, 1/4 inch	2
6	352856	Tee, Internal Pipe, 1/4 inch	2
7	000227	Weld-On Flange, 4 inch*	8

* Weld-on flange not included; purchase separately.
REV 00B 8/01/2019

Butterfly Valve for MPT-Mega Portable Stand Tank, 10 inch Part No. 301486

- 10 inch • MPT Butterfly valve



ITEM	PART NO.	DESCRIPTION	QTY
1	301486	Butterfly Valve, 10 inch	1
2	302995	Seal	1



Thank You

For Your Business



GENUINE MEGA

09-2019 Butterfly Valves (BFV)
700 Osuna Rd. N.E. • Albuquerque, NM 87113
1-800-345-8889 • 505-345-2661 • Fax 505-345-6190
www.megacorpinc.com

© Mega Corp. Inc. All Rights Reserved

www.megacorpinc.com

Follow us on social media #GENUINEMEGA

